

DOC	REV	REVISIONS	DATE	BY	APPD
DY	-				
	A	REVISED ECR-07-014309	15JUN2007	GAT	LSF

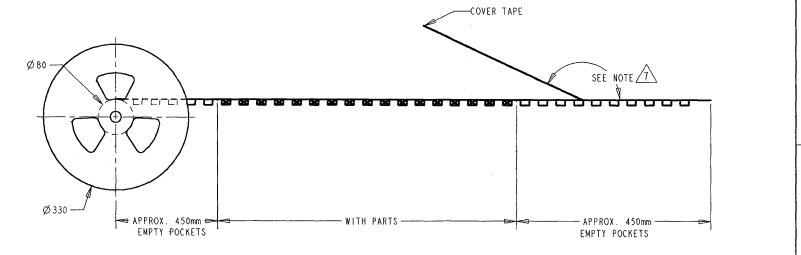
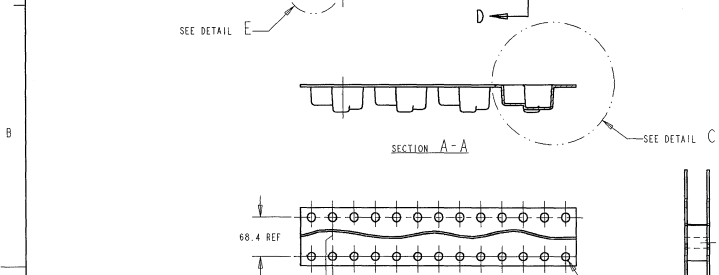
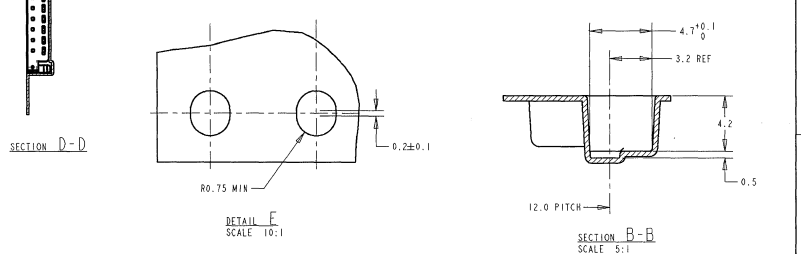
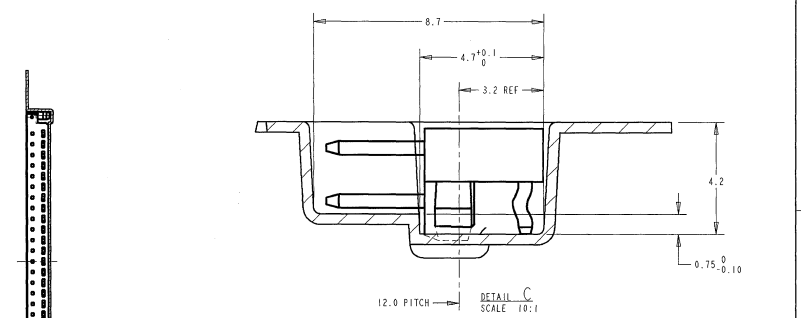
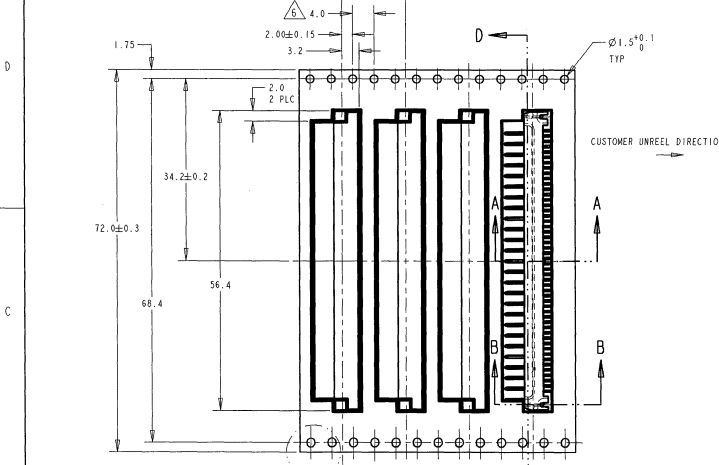
- NOTES:
- △ MATERIAL:
HOUSING: PPS, UL94-0, BLACK
POST: COPPER ALLOY
 - △ FINISH:
CONTACT AREA: 0.76um GOLD OR GOLD FLASH OVER 0.76um Pd-Ni
SOLDER AREA: 2.54um MIN MATTE TIN ALLOY
UNDERPLATE: 1.3um MIN NICKEL ALL OVER
 - △ POSITION NO. FOR REFERENCE ONLY
 - △ ALL PCB CONTACT SURFACES OF SMT SOLDER TAILS TO BE A MAX OF 0.1 ABOVE [E] AND A MAX OF 0.05 BELOW [E] SUBJECT TO TOTAL [E] 0.1
 - 5. ALL DIMENSIONS, EXCEPT STRAIGHTNESS TO BE MEASURED WITH BOW REMOVED

ACTIVE	REFER TO PG 2 OF 2	TAPE&REEL	0.8	52.10	52.58	54.79	48	24	49	49	54.15	56.03		25.45, 46	50	1-5084108-4
ACTIVE	REFER TO PG 2 OF 2	TAPE&REEL	0.8	52.10	52.58	54.79	48	24	49	49	54.15	56.03		NIL	50	1-5084108-2
ACTIVE		TRAY	0.8	52.10	52.58	54.79	48	24	49	49	54.15	56.03		5, 6, 26	50	5084108-7
ACTIVE		TRAY	0.8	52.10	52.58	54.79	48	24	49	49	54.15	56.03	-844 (AT)	25.45, 46	50	5084108-2
ACTIVE		TRAY	0.8	52.10	52.58	54.79	48	24	49	49	54.15	56.03	-840 (SCS)	24.41, 42	50	5084108-1
STATUS	REMARKS	PACKAGING	K	J	H	G	F	E	D	C	B	A	CUST. P/N FOR REF ONLY	POSTS OMITTED	POS	PART NO.

DATE: 05JUL2005	BY: J.W. TAP	CHK: S.F. LEOH	APPD: S.F. LEOH	DATE: 05JUL2005	NAME: S.F. LEOH
DIMENSIONS: DIM		TOLERANCES UNLESS OTHERWISE SPECIFIED:			
		1 PLC	40.2		
		2 PLC	40.25		
		4 PLC	40.3		
		4 PLC	40.3		
MATERIAL:		FINISH:			
WEIGHT:		MATERIAL:			
CUSTOMER DRAWING		SIZE: A2		CHG CODE: 00779	DRAWING NO: 5084108
		SCALE: 3:1		SHEET 1 OF 2	

THIS DRAWING IS UNPUBLISHED. RELEASED FOR PUBLICATION
 © COPYRIGHT IS BY AMP INCORPORATED. ALL RIGHTS RESERVED.

REV. NO.	DATE	BY	APPROV.
1			
2			
3			
4			



- NOTES:
1. ALL DIMENSIONS IN MM
 2. GENERAL TOL: ± 0.1mm
 3. MATERIAL: HOUSING THK 0.4mm
 4. PACKAGING PER REEL: 1115 POCKETS; OD: 330mm, ID: 100mm
 5. QTY PER REEL: 1000 PCS
 - 10 PITCHES CUMULATIVE TOLERANCE ON TAPE ± 0.2mm
 - PEELING STRENGTH: 10g-70g
 - PEELING ANGLE: 165-180
 - PEELING SPEED: 300mm/MINUTE
 8. TAPE & REEL PACKAGING APPLY TO P/N: 1-84108-2, 1-84108-4

TAPE & REEL PACKAGING

THIS DRAWING IS UNPUBLISHED. RELEASED FOR PUBLICATION. ALL RIGHTS RESERVED.		DWG: R.W. YAP 05JUL2005 CHK: W.L. CHOO 05JUL2005 APPR: S.F. LEONG 05JUL2005	tyco Tyco Electronics Singapore Pte. Ltd.
DIMENSIONS: (MM)	TOLERANCES UNLESS OTHERWISE SPECIFIED: Ø PLC ±0.2 1 PLC ±0.2 2 PLC ±0.25 3 PLC ±0.3 4 PLC ±0.3	PRODUCT SPEC: APPLICATION SPEC:	HEADER ASSEMBLY, 2mm AMPMODU SMT, R/A, D/R
MATERIAL:	FINISH:	WEIGHT:	SIZE: A2 EDGE CODE: 00779 DRAWING NO: ©=5084108
CUSTOMER DRAWING		SCALE: 3:1	SHEET: 2 OF 2