

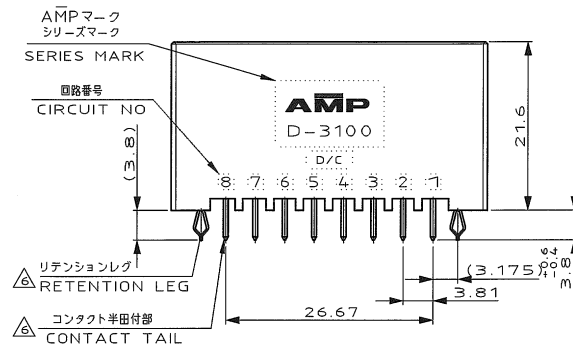
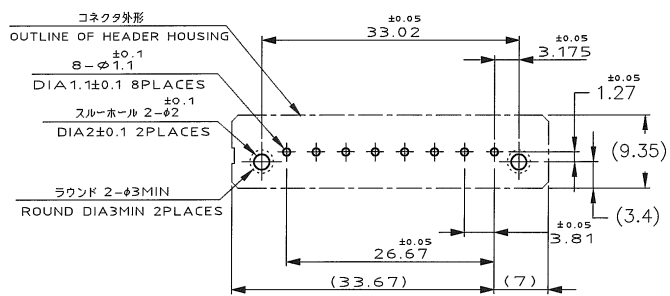
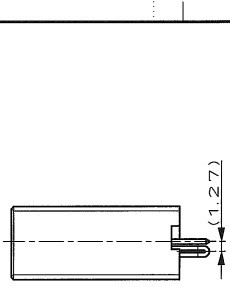
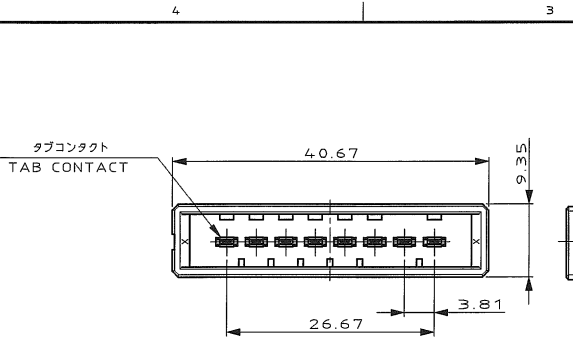
NUMBER
178317

METRIC

DIMENSIONS IN MILLIMETERS. DO NOT SCALE PRINT

PRINT DIST

AMP-J
REV.10/93



推奨基板取付け寸法
PC 基板厚: 1.6±0.1
(非累積公差)
(コネクタ搭載面)

RECOMMEND PC BOARD HOLE PATTERN
PC BOARD THICKNESS: 1.6±0.1
(NOT ACCUMULATE TOLERANCE)
(CONNECTOR MOUNT SIDE)

- NOTES
- MATERIAL: HOUSING: GLASS FILLED THERMO PLASTIC, POLYESTER (94V-0), COLOR: BLACK
CONTACT: COPPER ALLOY
RETENTION LEG: COPPER ALLOY
 - FINISH (CONTACT AREA): 0.38μm MIN GOLD PLATING OVER NI PLATING
 - FINISH (CONTACT AREA): 0.76μm MIN GOLD PLATING OVER NI PLATING
 - FINISH (CONTACT AREA): 2.0 μm MIN TIN PLATED OVER NICKEL
 - FINISH (RETENTION LEG): TIN-LEAD PLATED (CONTACT TAIL) OVER NICKEL
 - FINISH (RETENTION LEG): TIN PLATED (CONTACT TAIL) OVER NICKEL
- 注記
- 材料: ハウジング: ガラス入り熱可塑性ポリエスチル樹脂 (94V-0), 色: 黒
コネクタ: 銅合金
リテンションレグ: 銅合金
 - めっき: コネクタ: 全面N下地
接触部: 0.38μm MIN金めっき
 - めっき: コネクタ: 全面N下地
接触部: 0.76μm MIN金めっき
 - めっき: コネクタ: 全面N下地
接触部: 2.0 μm MINスズめっき
 - めっき: リテンションレグとコネクタ半田付部
ニッケル下地の土田半田めっき
ニッケル下地の土田半田めっき

△	△	1-178317-5
△	△	1-178317-3
△	△	1-178317-2
(FINISH)		製品番号 (PART NO.)

E	D	C	B	A
REVISED	REVISED	REVISED	REVISED	REDRAWN WITH CHANGE
FJDO-0039-03	FJDO-0114-03	FJDO-2744-95	FJDO-0838-94	FJDO-0480-94
T S	T S	K I	N M	N M
S	S	Y	S	S
4/2/93	10/23/93	10/23/95	7/4/94	4/20/94
16/AN	16/AN	16/AN	16/AN	16/AN
1/1	1/1	1/1	1/1	1/1
DR.	DR.	DR.	DR.	DR.
N. Matsubara	N. Matsubara	N. Matsubara	N. Matsubara	N. Matsubara
CHK.	CHK.	CHK.	CHK.	CHK.
S. MATSUBARA	S. MATSUBARA	S. MATSUBARA	S. MATSUBARA	S. MATSUBARA

Copyright © 1994
AMP(Japan) LTD.
ALL RIGHTS RESERVED.

tyco
Electronics

Tyco Electronics AMP K.K.
Kawasaki, Japan

8 POS SINGLE ROW
VERTICAL HDR ASS'Y FOR DYNAMIC D-3100

WIRE RANGE: mm(TAWG -)
INSULATION DIA: mm(D)

MATERIAL: SEE NOTE
FINISH: SEE NOTE

注記参照

DR. 19 APR 94 DE. 19 APR 94
CHK. N. Matsubara APP. N. Matsubara

DR. 28 APR 94 DE. 28 APR 94
CHK. S. MATSUBARA APP. S. MATSUBARA

GENERAL TOLERANCE: SIZE LOC NUMBER
100% ±0.3 A3 J C=178317
100% ±0.4
30% ±0.5
SCALE 2-1 REV. E SHEET 1 OF 1

(CUSTOMER DRAWING) 顧客用図面