

4

3

2

1

THIS DRAWING IS UNPUBLISHED. RELEASED FOR PUBLICATION
 © COPYRIGHT - By - ALL RIGHTS RESERVED.

LOC		DIST		REVISIONS			
P	LTR	DESCRIPTION	DATE	DWN	APVD		
P		REVISED PER ECO-11-004917	11MAR11	RK	HMR		

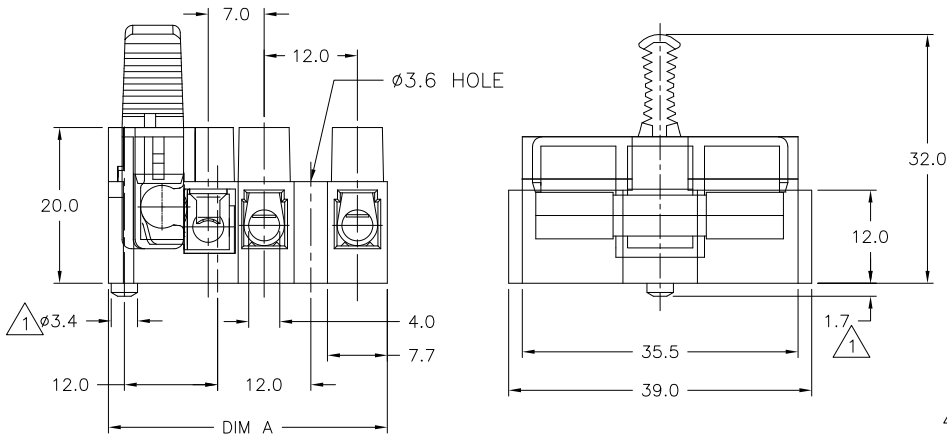
MATERIAL:
 HOUSING: POLYAMIDE 6/6, GRAY, HANDLE BLACK.
 INSERTS: BRASS, TIN PLATED.
 CONTACTS FOR FUSES: STAINLESS SPRING STEEL.
 SCREWS: STEEL, ZINC PLATED, NON-HEXAVALENT CHROMATE (CHROME III).

VOLTAGE RATING:
 FUSE HOLDERS: 250V
 TERMINAL BLOCKS: 400V

CURRENT RATING:
 FUSE HOLDERS: 16A
 TERMINAL BLOCKS: 34A

WIRE RANGE: 10-24 AWG (WIRE PROTECTOR)
 WIRE RANGE: 8-22 AWG (TUNNEL CONNECTION)

△ 1 LOCATING FEATURE IS NOT APPLICABLE TO 1 POSITION PART.



36.0	1003SI/3EDS	1776309-4
DIM A	CATALOG NO.	PART NUMBER
WIRE PROTECTOR GROUNDED		
36.0	1003SI/3E	1776309-3
DIM A	CATALOG NO.	PART NUMBER
TUNNEL CONNECTION GROUNDED		
24.0	1003SI/2DS	1776309-2
18.7	1003SI/1DS	1776309-1
DIM A	CATALOG NO.	PART NUMBER
WIRE PROTECTOR		
60.0	1003SI/5	1-1776309-5
48.0	1003SI/4	1-1776309-4
36.0	1003SI/3	1-1776309-3
24.0	1003SI/2	1-1776309-2
18.7	1003SI/1	1-1776309-1
DIM A	CATALOG NO.	PART NUMBER
TUNNEL CONNECTION		

THIS DRAWING IS A CONTROLLED DOCUMENT.		DWN	S SCHLEGEL	3/22/05	STE TE Connectivity	
		CHK	S YODER	3/22/05		
DIMENSIONS:		APVD	S YODER	3/22/05	NAME FUSED TERMINAL BLOCK 1003SI	
mm		PRODUCT SPEC				
TOLERANCES UNLESS OTHERWISE SPECIFIED:		APPLICATION SPEC			RESTRICTED TO	
0 PLC ± -		WEIGHT			SIZE	
1 PLC ± .3		-			CAGE CODE	
2 PLC ± .25		-			DRAWING NO	
3 PLC ± -		-			DRAWING NO	
4 PLC ± -		-			DRAWING NO	
ANGLES ± -		-			DRAWING NO	
MATERIAL		FINISH			DRAWING NO	
-		-			DRAWING NO	
CUSTOMER DRAWING					SCALE	NTS
					SHEET	1 of 1
					REV	P