

4

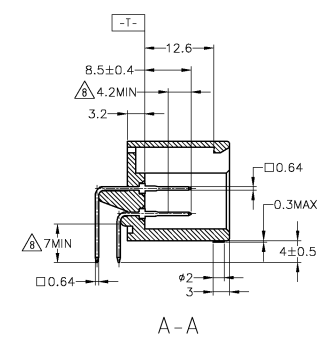
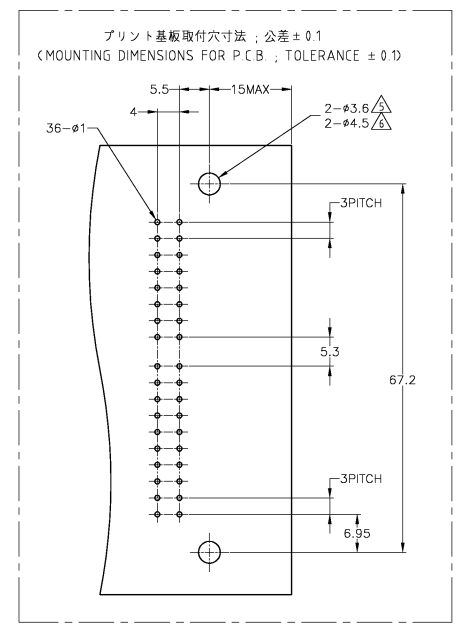
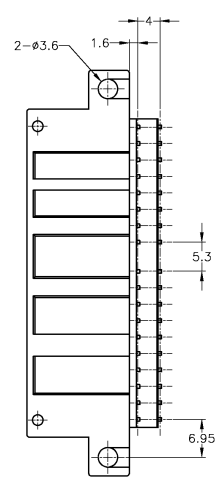
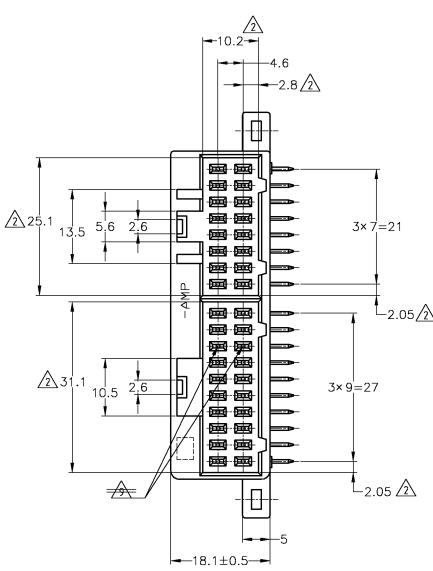
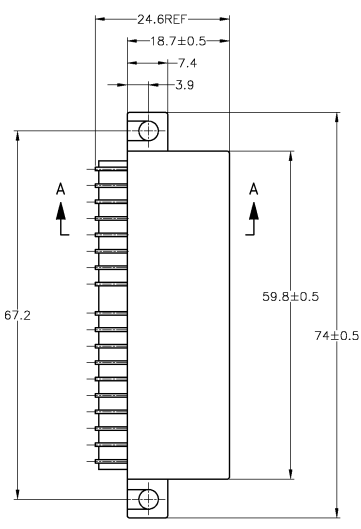
3

2

1

THIS DRAWING IS UNPUBLISHED. RELEASED FOR PUBLICATION
 © copyright BY TYCO ELECTRONICS CORPORATION. ALL RIGHTS RESERVED.

LOC	DIST	REV	DESCRIPTION	DATE	BY	APPD
J	-	1	REVISED	ECR-07-008141	09APR07	TS KB



- 1. プリント基板にボストの突起なく挿入可能なこと。
- 2. 面より2mmの範囲で測定
- 3. 適合する相手ハウジング型番 172021,172047,172850,172852
- 4. 適用製品規格: 108-5124
- 5. プリント基板の取付は呼び径3のねじを使用する。
- 6. タッピンねじでプリント基板に固定する場合は、JIS B1115,B1122
- 7. タッピンねじなべ頭又は4種 呼び径4の長さ8mm以上による。
- 8. 挿れ部: 締めつまみ、半田付部: 後締めつまみ
- 9. 全周: マリネームつまみに接合部のみ0.38mm以上の締めつまみ
- 10. 半田付部に締めつまみ

- 1. MUST BE INSERTED TO P.C.B. WITHOUT POST DEFORMATION.
- 2. MUST BE KEPT BETWEEN [] AND 2.
- 3. MATING PLUG HOUSING ; 172021,172047,172850,172852
- 4. PRODUCT SPECIFICATION ; 108-5124
- 5. RECOMMENDED MOUNTING SCREW ; DIAMETER 3.
- 6. RECOMMENDED MOUNTING SCREW ; JIS B1115 OR B1122
- 7. PAN HEAD TAPPING SCREW, CLASS 1 OR 4, DIAMETER 4, LENGTH 8
- 8. CONTACT SIDE: TIN-PLATING, SOLDERING SIDE: AFTER TIN-PLATING
- 9. GOLD-PLATING 0.38 μm MIN. OVER NICKEL-PLATING
- 10. SOLDERING-AREA IS TIN-PLATING

TIN-LEAD	SELECTIVE-GOLD	BLACK	2-172023-2
SELECTIVE-TIN	PRE-TIN	BLACK	1-172023-2
TIN-LEAD	SELECTIVE GOLD	BLACK	172023-2
SELECTIVE-TIN	PRE-TIN	BLACK	172023-2
SELECTIVE-TIN (MATE)	SELECTIVE-TIN (BRIGHT)	BLACK	172023-1
SOLDERING SIDE	CONTACT SIDE	COLOR	PART NUMBER

THIS DRAWING IS A CONTROLLED DOCUMENT.

SHINOHARA TCFE06 Tyco Electronics AMP K.K. Kowasaki, Japan

K. BETSUI TCFE06

PRODUCT SPEC: NOTE 4

APPLICATION SPEC: 36POSITION CAP HOUSING ASSEMBLY DUAL LINE INTERLOCK CONNECTOR

SIZE: A2 00779 172023

CUSTOMER DRAWING

SCALE: 2:1 SHEET: 1 OF 1 REV: 1.1