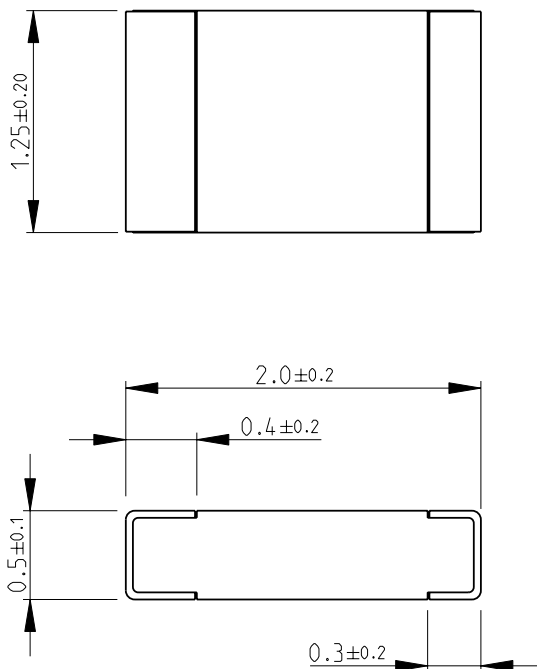
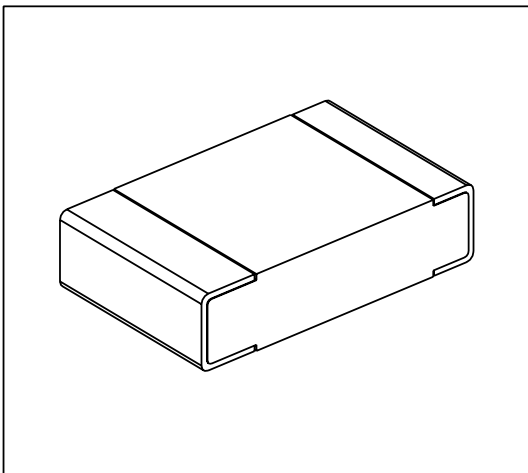


LOC	DIST	REVISIONS				
P	LTR	DESCRIPTION	DATE	DWN	APVD	
E	B	BA	NEW RELEASE	24-Sep-08	SM	St.P

FOR FURTHER INFORMATION SEE DATA SHEET FOR
CPF SERIES-THIN FILM PRECISION CHIP RESISTORS



RoHS Compliant



2008

RELEASED FOR PUBLICATION

THIS DRAWING IS UNPUBLISHED.

© COPYRIGHT 2008 BY TYCO ELECTRONICS CORPORATION. ALL RIGHTS RESERVED.

DIMENSIONS: mm TOLERANCES UNLESS OTHERWISE SPECIFIED: 0 PLC ± 0.2 1 PLC ± 0.1 2 PLC \pm 3 PLC \pm 4 PLC \pm ANGLES $\pm 5^\circ$	DWN SUBHASH.M	24-Sep-08	MATERIAL -	FINISH -				
	CHK PRAKASH.S	24-Sep-08	Tyco Electronics Corporation Dorcan, Swindon, SN3 5HH					
APVD STEPHEN.P	24-Sep-08	PRODUCT SPEC -			NAME THIN FILM PRECISION CHIP RESISTORS SERIES CPF 0805			
	APPLICATION SPEC -	SIZE A 4	CAGE CODE 00779	DRAWING NO C= 1614953	RESTRICTED TO -			
	WEIGHT -	CUSTOMER DRAWING			SCALE 25:1	SHEET 1	OF 1	REV BA