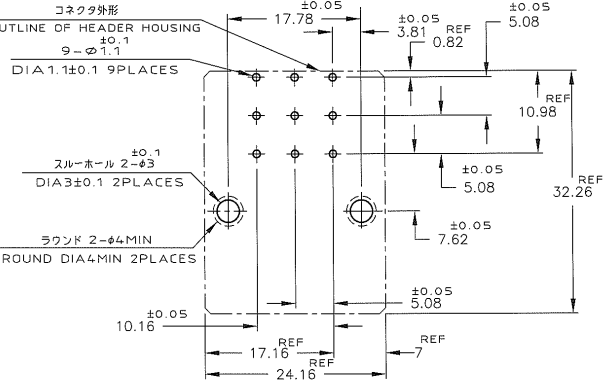
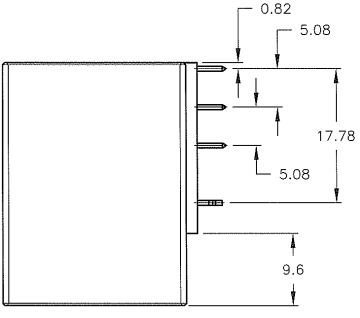
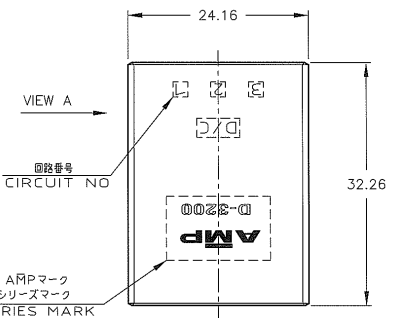


| P | LTR | DESCRIPTION | ECN | DATE | DWN | APVD |
|----|-----|-------------|---------------|-------------|-----|------|
| A | | REVISED | FJ00-0875-98 | 16/JUN/98 | KI | NM |
| B | | REVISED | FJ00-0114-03 | 25/APR/03 | TS | SM |
| C | | REVISED | FJ00-0039-03 | 2/JUN/03 | TS | SM |
| C1 | | REVISED | ECR-07-013273 | 11/JUN/2007 | TS | D.M |

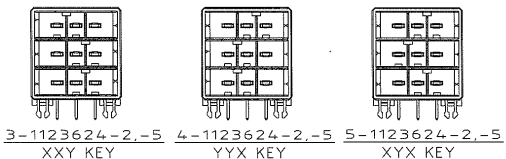
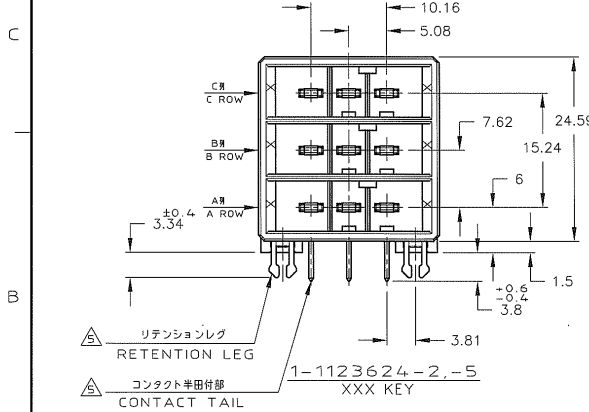


| (FINISH) | 製品番号 (PART NO.) | KEY |
|----------|-----------------|-----|
| △ | 5-1123624-5 | XXY |
| △ | 5-1123624-2 | YYX |
| △ | 4-1123624-5 | YYX |
| △ | 4-1123624-2 | YYX |
| △ | 3-1123624-5 | XXY |
| △ | 3-1123624-2 | XXY |
| △ | 1-1123624-5 | XXX |
| △ | 1-1123624-2 | XXX |

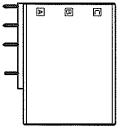
推奨基板取付寸法
 PC 基板厚: 1.6 ± 0.1
 (非累積公差)
 (コネクタ搭載面)

RECOMMEND PC BOARD HOLE PATTERN
 PC BOARD THICKNESS: 1.6 ± 0.1
 (NOT ACCUMULATE TOLERANCE)
 (CONNECTOR MOUNT SIDE)

- 注記
- 材料: ハウジング: ガラス入り熱可塑性ポリエステル樹脂
 コンタクト: 銅合金
 リテンションレグ: 銅合金
 - めっき: コンタクト: 全面Ni下地
 接触部: 0.38 μm MIN 全めっき
 - めっき: コンタクト: 全面Ni下地
 接触部: 2.0 μm MIN スズめっき
 - めっき: リテンションレグとコンタクト半田付部
 ニッケル下地の上半田付部
 ニッケル下地の上半田付部



- NOTES
- MATERIAL: HOUSING: GLASS FILLED THERMO PLASTIC, POLYESTER
 CONTACT: COPPER ALLOY
 RETENTION LEG: COPPER ALLOY
 - FINISH (CONTACT AREA): 0.38 μm MIN GOLD PLATING OVER Ni PLATING
 - FINISH (CONTACT AREA): 2.0 μm MIN TIN PLATED OVER NICKEL
 - FINISH (RETENTION LEG): TIN LEAD PLATED (CONTACT TAIL) OVER NICKEL
 - FINISH (RETENTION LEG): TIN PLATED (CONTACT TAIL) OVER NICKEL



| | |
|--|------------------------------|
| THE DRAWING IS A CONTROLLED DOCUMENT FOR AMP INCORPORATED. IT IS SUBJECT TO CHANGE AND THE CONTROLLING ORGANIZATION SHOULD BE CONTACTED FOR THE LATEST REVISION. | DWN KIKEDA 16/MAR/98 |
| | CHK KIKEDA 16/MAR/98 |
| | DRG N.MATSUBARA |
| | APVD HASEGAWA 16/MAR/98 |
| DIMENSIONS: 単位: mm | PRODUCT SPEC 108-5349 |
| TOLERANCES UNLESS OTHERWISE SPECIFIED: ±0.3 3% >10 ±0.4 10% >30 ±0.45 ANGLE: ±30° | APPLICATION SPEC 114-5148 |
| MATERIAL SEE NOTE 注記参照 | FINISH SEE NOTE 注記参照 |
| | WEIGHT 11.8g |

| | |
|--|-----------------------|
| WIRE RANGE 線径範囲 | INSULATION DIA 絶縁径 |
| Tyco Electronics Tyco Electronics AMP K.K. Kawasaki, Japan | |
| NAME ダイナミック コネクター D3200 ヘッダーアセンブリー 9P (水平タイプ) | |
| DYNAMIC CONN. D3200 HORIZONTAL HDR ASS'Y 9P | |
| SIZE A3 | CAGE CODE 00779 |
| DRAWING NO. 1123624 | RESTRICTED TO - |
| CUSTOMER DRAWING | SCALE 2-1 |
| | SHEET 7 OF 7 |
| | REV C1 |