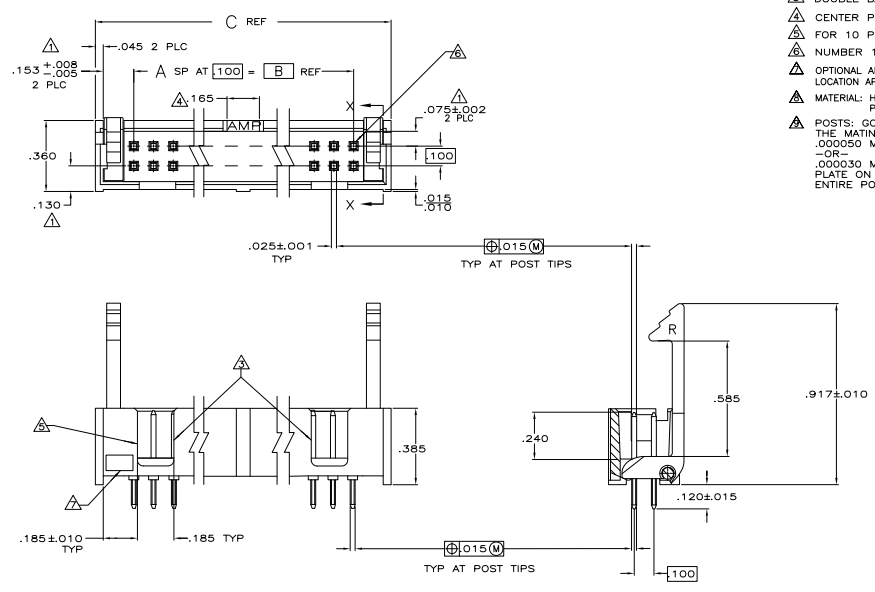
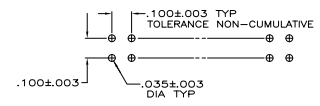


THIS DRAWING IS UNPUBLISHED
 ALL RIGHTS RESERVED

REV	DATE	DESCRIPTION	BY	APP
00				
M1		REVISED PER EDD-11-004835	11MM11	RK-HMR



- △ THE NOTED DIMENSIONS APPLY AT THE INTERSECTION OF THE POST AND HOUSING
- △ DOUBLE BAR POLARIZATION
- △ CENTER POLARIZATION SLOT
- △ FOR 10 POSN ASSEMBLY, SLOT OMITTED WHERE INDICATED
- △ NUMBER 1 POSITION.
- △ OPTIONAL AMP IDENTIFICATION NUMBER (DATE CODE). LOCATION APPROXIMATELY WHERE SHOWN.
- △ MATERIAL: HOUSING: GLASS FILLED NYLON, FLAME RETARDANT, BLACK. POSTS: BRASS.
- △ POSTS: GOLD FLASH OVER PALLADIUM-NICKEL PLATE, .000030 MIN TOTAL ON THE MATING SURFACES, .000100 MIN TIN-LEAD PLATE ON THE SOLDER-TAILS, .000050 MIN NICKEL UNDERPLATE ON THE ENTIRE POST.
 -OR-
 .000030 MIN GOLD PLATE ON THE MATING SURFACES, .000100 MIN TIN-LEAD PLATE ON THE SOLDER-TAILS, .000050 MIN NICKEL UNDERPLATE ON THE ENTIRE POST.



RECOMMENDED HOLE LAYOUT FOR MANUAL INSERTION

	1.800	1.400	14	30	1-104128-2
OBsolete	1.500	1.100	11	24	1-104128-1
OBsolete	3.300	2.900	29	60	1-104128-0
	2.800	2.400	24	50	104128-9
OBsolete	2.500	2.100	21	44	104128-8
OBsolete	2.300	1.900	19	40	104128-7
	2.000	1.600	16	34	104128-5
	1.600	1.200	12	26	104128-3
	1.300	.900	9	20	104128-4
	1.100	.700	7	16	104128-3
	1.000	.600	6	14	104128-2
	.800	.400	4	10	104128-1

THIS DRAWING IS A CONTROLLED DOCUMENT.

DATE: 03/10/07
 BY: J. FLUCKER
 PART NO: 108-40018
 REV: 1

TE Connectivity
 HEADER ASSY, LOW PROFILE, AMP-LATCH

SIZE: A1
 DATE: 00779
 DRAWING NO: 104128

CUSTOMER DRAWING