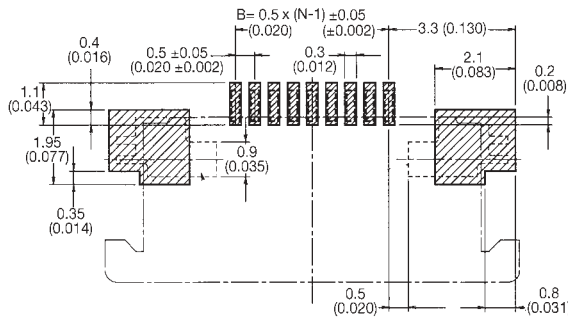
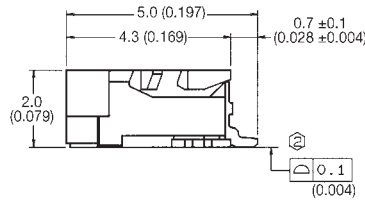
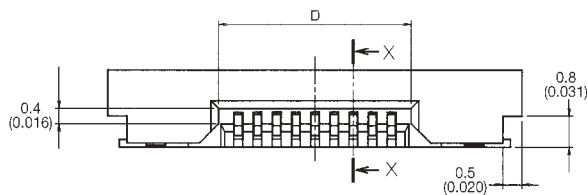
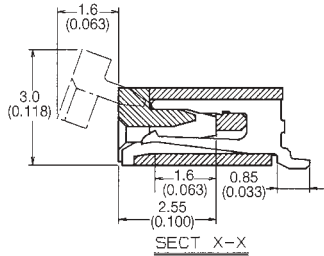
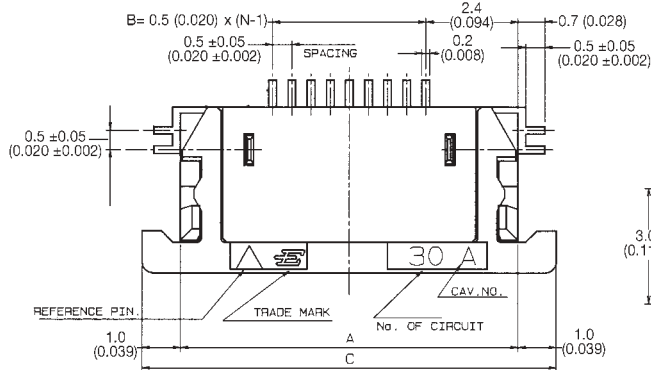


0.50mm Pitch

Series 6210/6260 – ZIF Right Angle SMT (Bottom Contact Type)

Specifications

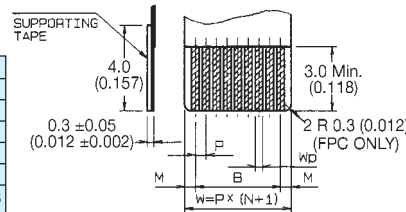
- Number of Contacts – 5-40
- 2000 Connectors per Tape & Reel
- Voltage – 50V
- Current Rating – 0.4 amp max.
- Dielectric Withstanding Voltage – 200V RMS min.
- Operating Temperature – (-40°C - +85°C)
- Contact Material – phosphor bronze (tin-lead plated)
- Insulator Material – nylon 46, natural color
- Slider Material – PPS, natural color (UL 94 V-O)
- FFC/FPC Thickness – 0.3 ±0.05mm (0.012 ±0.002")
- Profile Height – 2.00mm



MOUNTING LAYOUT (CONN. MOUNTING SIDE)

	FFC		FPC	
	1	2	1	2
M	0.5±0.1	0.5±0.08	0.5±0.12	0.5±0.1
P	0.5±0.03	0.5±0.05	0.5±0.02	0.5±0.05
B	B±0.03	B±0.05	B±0.03	B±0.05
W	W±0.07	W±0.07	W±0.07	W±0.07
Wp	0.3 ^{+0.02} _{-0.02}	0.3 ^{+0.02} _{-0.02}	0.35 ^{+0.04} _{-0.03}	0.35±0.05

Applicable FFC, FPC



No. of Contacts	Dimension			
	A	B	C	D
05	6.8 (0.268)	2.0 (0.079)	8.8 (0.346)	3.1 (0.122)
06	7.3 (0.287)	2.5 (0.098)	9.3 (0.366)	3.6 (0.142)
07	7.8 (0.307)	3.0 (0.118)	9.8 (0.386)	4.1 (0.161)
08	8.3 (0.327)	3.5 (0.138)	10.3 (0.406)	4.6 (0.181)
09	8.8 (0.346)	4.0 (0.157)	10.8 (0.425)	5.1 (0.201)
10	9.3 (0.366)	4.5 (0.177)	11.3 (0.445)	5.6 (0.220)
11	9.8 (0.386)	5.0 (0.197)	11.8 (0.465)	6.1 (0.240)
12	10.3 (0.406)	5.5 (0.217)	12.3 (0.484)	6.6 (0.260)
13	10.8 (0.425)	6.0 (0.236)	12.8 (0.504)	7.1 (0.280)
14	11.3 (0.445)	6.5 (0.256)	13.3 (0.524)	7.6 (0.299)
15	11.8 (0.465)	7.0 (0.276)	13.8 (0.543)	8.1 (0.319)
16	12.3 (0.484)	7.5 (0.295)	14.3 (0.563)	8.6 (0.339)
17	12.8 (0.504)	8.0 (0.315)	14.8 (0.583)	9.1 (0.358)
18	13.3 (0.524)	8.5 (0.335)	15.3 (0.602)	9.6 (0.378)
19	13.8 (0.543)	9.0 (0.354)	15.8 (0.622)	10.1 (0.398)
20	14.3 (0.563)	9.5 (0.374)	16.3 (0.642)	10.6 (0.417)
21	14.8 (0.583)	10.0 (0.394)	16.8 (0.661)	11.1 (0.437)
22	15.3 (0.602)	10.5 (0.413)	17.3 (0.681)	11.6 (0.457)
23	15.8 (0.622)	11.0 (0.433)	17.8 (0.701)	12.1 (0.476)
24	16.3 (0.642)	11.5 (0.453)	18.3 (0.720)	12.6 (0.496)
25	16.8 (0.661)	12.0 (0.472)	18.8 (0.740)	13.1 (0.516)
26	17.3 (0.681)	12.5 (0.492)	19.3 (0.760)	13.6 (0.535)
27	17.8 (0.701)	13.0 (0.512)	19.8 (0.780)	14.1 (0.555)
28	18.3 (0.720)	13.5 (0.531)	20.3 (0.799)	14.6 (0.575)
29	18.8 (0.740)	14.0 (0.551)	20.8 (0.819)	15.1 (0.594)
30	19.3 (0.760)	14.5 (0.571)	21.3 (0.839)	15.6 (0.614)
33	20.8 (0.819)	16.0 (0.630)	22.8 (0.898)	17.1 (0.673)
34	21.3 (0.839)	16.5 (0.650)	23.3 (0.917)	17.6 (0.693)
35	21.8 (0.858)	17.0 (0.669)	23.8 (0.937)	18.1 (0.713)
36	22.3 (0.878)	17.5 (0.689)	24.3 (0.957)	18.6 (0.732)
40	24.3 (0.957)	19.5 (0.768)	26.3 (1.035)	20.6 (0.811)

HOW TO ORDER

08

62XX

0XX

340

800

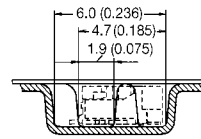
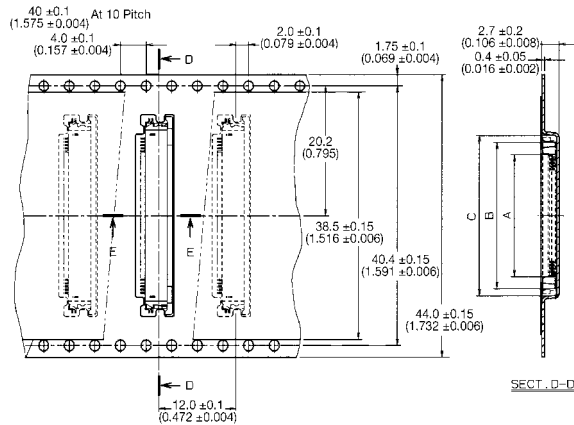
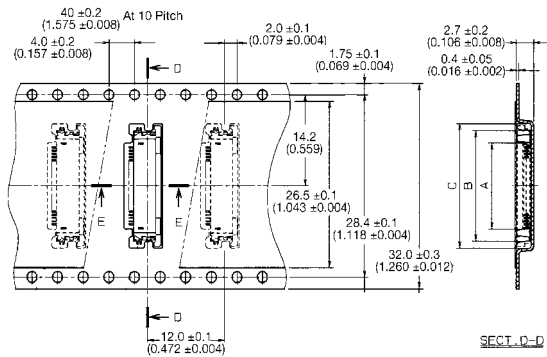
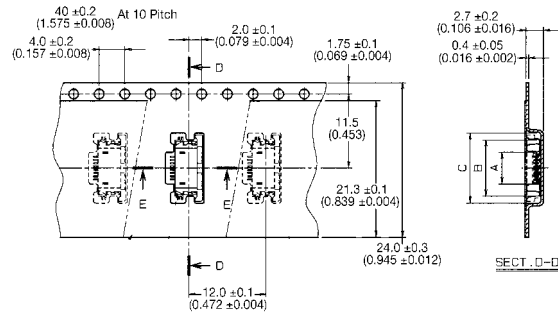
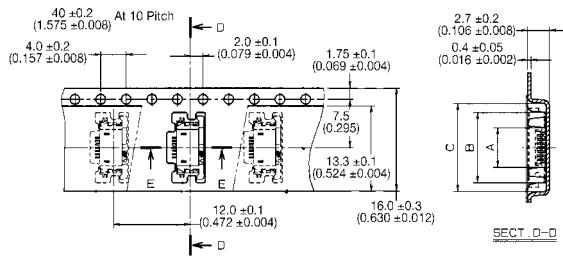
Series Number
6210
6260 (C/Ag type)

Number of Contacts

2000 Connectors per Tape and Reel.

0.50mm Pitch

Series 6210/6260 - Tape and Reel Package



SECT. E-E

No. of Contacts	Dimension		
	A	B	C
05	3.4 (0.134)	7.2 (0.283)	9.4 (0.370)
06	3.9 (0.154)	7.7 (0.303)	9.9 (0.390)

No. of Contacts	Dimension		
	A	B	C
07	4.4 (0.173)	8.2 (0.323)	10.4 (0.409)
08	4.9 (0.193)	8.7 (0.343)	10.9 (0.429)
09	5.4 (0.213)	9.2 (0.362)	11.4 (0.449)
10	5.9 (0.232)	9.7 (0.382)	11.9 (0.469)
11	6.4 (0.252)	10.2 (0.402)	12.4 (0.488)
12	6.9 (0.272)	10.7 (0.421)	12.9 (0.508)
13	7.4 (0.291)	11.2 (0.441)	13.4 (0.528)
14	7.9 (0.311)	11.7 (0.461)	13.9 (0.547)
15	8.4 (0.331)	12.2 (0.480)	14.4 (0.567)
16	8.9 (0.350)	12.7 (0.500)	14.9 (0.587)
17	9.4 (0.370)	13.2 (0.520)	15.4 (0.606)
18	9.9 (0.390)	13.7 (0.539)	15.9 (0.626)
19	10.4 (0.409)	14.2 (0.559)	16.4 (0.646)
20	10.9 (0.429)	14.7 (0.579)	16.9 (0.665)
21	11.4 (0.449)	15.2 (0.598)	17.4 (0.685)
22	11.9 (0.469)	15.7 (0.618)	17.9 (0.705)
23	12.4 (0.488)	16.2 (0.638)	18.4 (0.724)
24	12.9 (0.508)	16.7 (0.658)	18.9 (0.744)

No. of Contacts	Dimension		
	A	B	C
25	13.4 (0.528)	17.2 (0.677)	19.4 (0.764)
26	13.9 (0.547)	17.7 (0.697)	19.9 (0.783)
27	14.4 (0.567)	18.2 (0.717)	20.4 (0.803)
28	14.9 (0.587)	18.7 (0.736)	20.9 (0.823)
29	15.4 (0.606)	19.2 (0.756)	21.4 (0.843)
30	15.9 (0.626)	19.7 (0.776)	21.9 (0.862)
33	17.4 (0.685)	21.2 (0.835)	23.4 (0.921)
34	17.9 (0.705)	21.7 (0.854)	23.9 (0.941)
35	18.4 (0.724)	22.2 (0.874)	24.4 (0.961)
36	18.9 (0.744)	22.7 (0.894)	24.9 (0.980)
40	20.9 (0.823)	24.7 (0.972)	26.9 (1.059)

HOW TO ORDER

08

62XX

0XX

340

800

Series Number
6210
6260 (C/Ag type)

Number of Contacts

2000 Connectors per Tape and Reel.