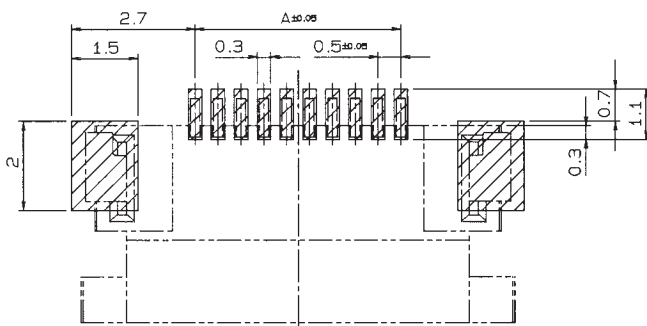
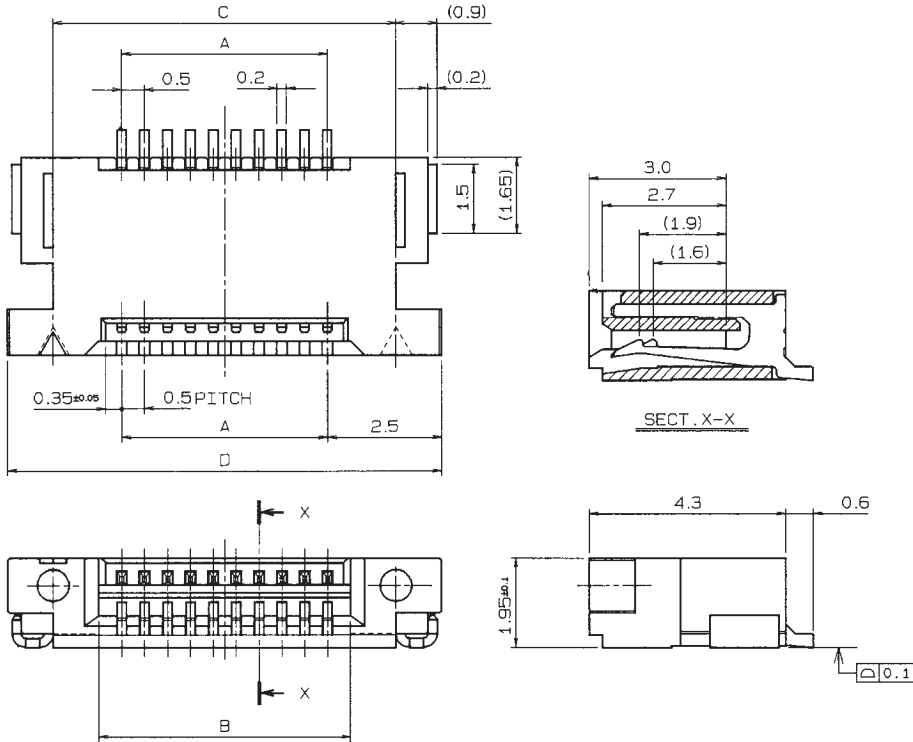


0.5mm Spacing

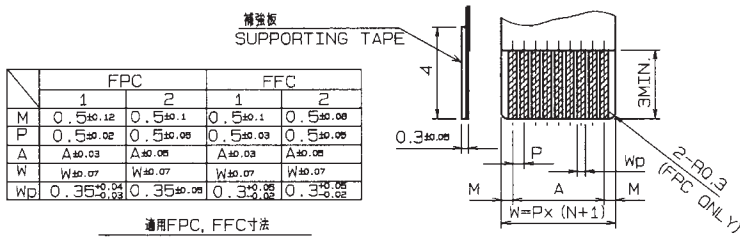
SERIES

# 6222

NON-ZIF ライトアングル SMT 下接点  
LIF Right Angle SMT (Bottom Contact Type)



推奨基板取付け寸法 (コネクタ搭載側)  
MOUNTING LAYOUT (CONN. MOUNTING SIDE)



極数 No. OF POS	A	B	C	D
5	2.0	3.0	5.0	7.0
6	2.5	3.5	5.5	7.5
7	3.0	4.0	6.0	8.0
8	3.5	4.5	6.5	8.5
9	4.0	5.0	7.0	9.0
10	4.5	5.5	7.5	9.5
11	5.0	6.0	8.0	10.0
12	5.5	6.5	8.5	10.5
13	6.0	7.0	9.0	11.0
14	6.5	7.5	9.5	11.5
15	7.0	8.0	10.0	12.0
16	7.5	8.5	10.5	12.5
17	8.0	9.0	11.0	13.0
18	8.5	9.5	11.5	13.5
19	9.0	10.0	12.0	14.0
20	9.5	10.5	12.5	14.5
21	10.0	11.0	13.0	15.0
22	10.5	11.5	13.5	15.5
23	11.0	12.0	14.0	16.0
24	11.5	12.5	14.5	16.5
25	12.0	13.0	15.0	17.0
26	12.5	13.5	15.5	17.5
27	13.0	14.0	16.0	18.0
28	13.5	14.5	16.5	18.5
29	14.0	15.0	17.0	19.0
30	14.5	15.5	17.5	19.5

注文コード ORDERING CODE

08 6222 0XX 001 800

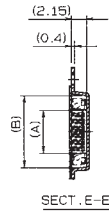
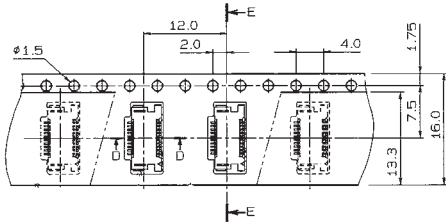
└── 極数 NUMBER OF CONTACTS

0.5mm Spacing

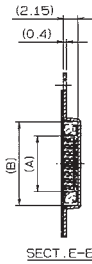
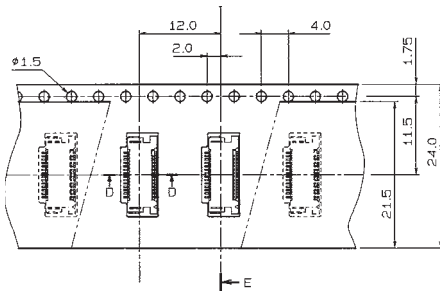
SERIES

# 6222

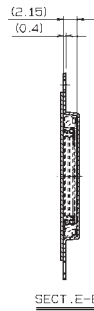
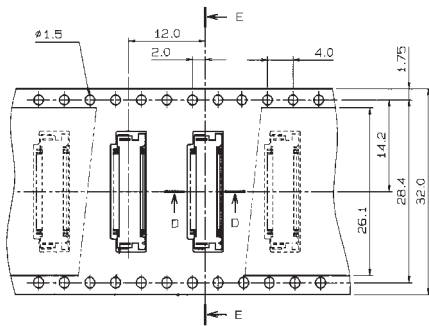
エンボス梱包品  
Tape and Reel Package



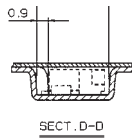
極数 NO. OF POS	A	B
5	3.2	7.3
6	3.7	7.8
7	4.2	8.3
8	4.7	8.8
9	5.2	9.3
10	5.7	9.8
11	6.2	10.3



極数 NO. OF POS	A	B
12	6.7	10.8
13	7.2	11.3
14	7.7	11.8
15	8.2	12.3
16	8.7	12.8
17	9.2	13.3
18	9.7	13.8
19	10.2	14.3
20	10.7	14.8
21	11.2	15.3
22	11.7	15.8
23	12.2	16.3
24	12.7	16.8
25	13.2	17.3
26	13.7	17.8
27	14.2	18.3



極数 NO. OF POS	A	B
28	14.7	18.8
29	15.2	19.3
30	15.7	19.8



注文コード ORDERING CODE

08 6222 OXX 001 800

極数 NUMBER OF CONTACTS

梱包数量 2000ヶ/リール  
(2000 connectors per Tape and Reel.)