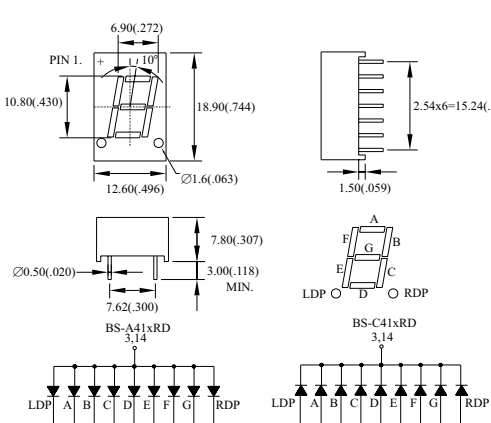
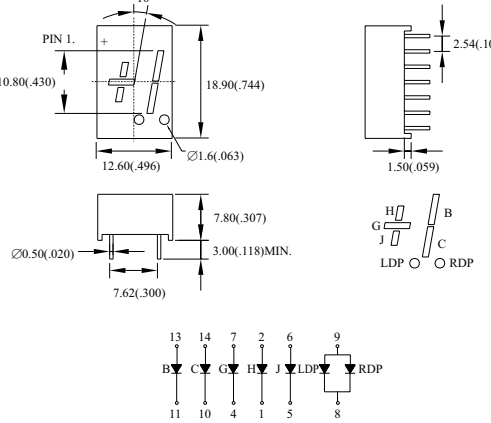
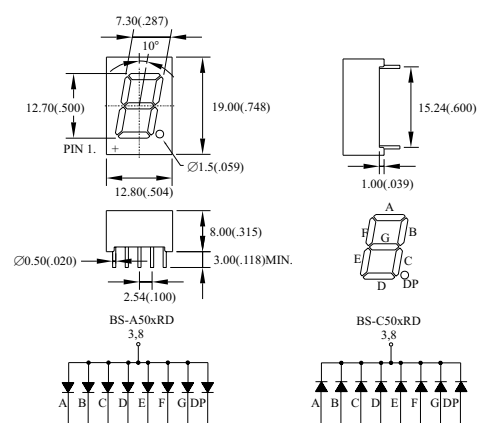
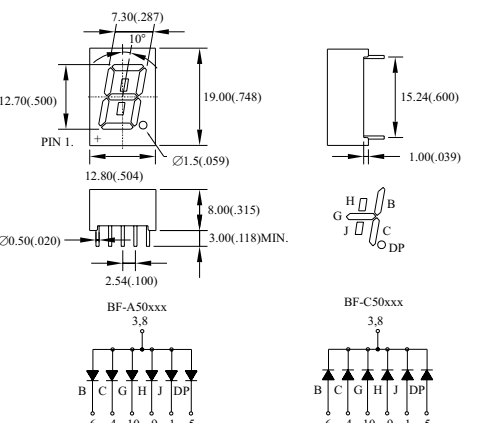
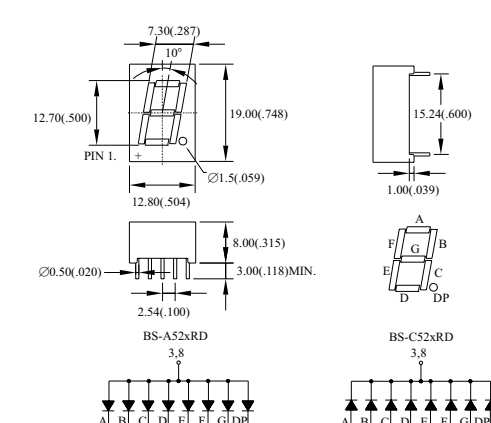
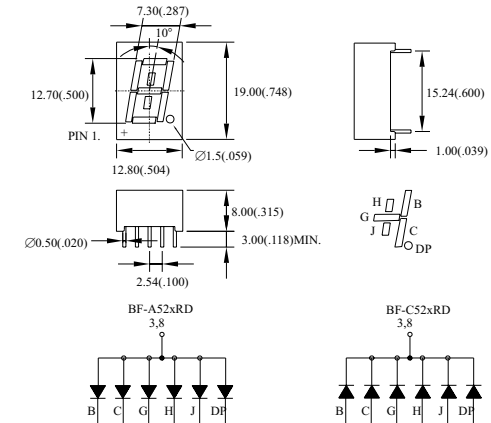




SINGLE DIGIT LED DISPLAYS

Digit Size	Part No.		Chip		Absolute Maximum Ratings				Electro-optical Data(At 10mA)			Drawing No.
	Common Anode	Common Cathode	Material/Emitted Color	Peak Wave Length λ_p (nm)	$\Delta \lambda$ (nm)	Pd (mw)	If (mA)	I _{fp} (mA)	V _f (v)		Iv. Typ. Per.Seg. (mcd)	
									Typ.	Max.		
0.43" Single-Digit	BS-A411RD	BS-C411RD	GaAsP/Red	655	40	80	40	200	1.7	2.0	0.7	SD-19
	BS-A415RD	BS-C415RD	GaP/ Bright Red	700	90	40	15	50	2.2	2.5	1.5	
	BS-A415RE	BS-C415RE										
	BS-A412RD	BS-C412RD	GaP/ Green	568	30	80	30	150	2.2	2.5	3.5	
	BS-A413RD	BS-C413RD	GaAsP/GaP/ Yellow	585	35	80	30	150	2.1	2.5	2.5	
	BS-A414RD	BS-C414RD	GaAsP/GaP/ Hi-Eff.Red	635	45	80	30	150	2.0	2.5	3.5	
			GaAsP/GaP/ Orange									
BS-A416RD	BS-C416RD	GaAlAs/ SH Super Red	660	20	80	30	150	1.7	2.5	6.5		
BS-A41DRD	BS-C41DRD	GaAlAs/ DH Super Red	660	20	80	30	150	1.7	2.5	7.5		
0.43" Overflow Single-Digit	BF-U411RD		GaAsP/Red	655	40	80	40	200	1.7	2.0	0.7	SD-20
	BF-U415RD		GaP/ Bright Red	700	90	40	15	50	2.2	2.5	1.5	
	BF-U415RE											
	BF-U412RD		GaP/ Green	568	30	80	30	150	2.2	2.5	3.5	
	BF-U413RD		GaAsP/GaP/ Yellow	585	35	80	30	150	2.1	2.5	2.5	
	BF-U414RD		GaAsP/GaP/ Hi-Eff.Red	635	45	80	30	150	2.0	2.5	3.5	
			GaAsP/GaP/ Orange									
BF-U416RD		GaAlAs/ SH Super Red	660	20	80	30	150	1.7	2.5	6.5		
BF-U41DRD		GaAlAs/ DH Super Red	660	20	80	30	150	1.7	2.5	7.5		
0.50" Single-Digit	BS-A501RD	BS-C501RD	GaAsP/Red	655	40	80	40	200	1.7	2.0	1.0	SD-21
	BS-A505RD	BS-C505RD	GaP/ Bright Red	700	90	40	15	50	2.2	2.5	1.5	
	BS-A505RE	BS-C505RE										
	BS-A502RD	BS-C502RD	GaP/ Green	568	30	80	30	150	2.2	2.5	3.0	
	BS-A503RD	BS-C503RD	GaAsP/GaP/ Yellow	585	35	80	30	150	2.1	2.5	2.0	
	BS-A504RD	BS-C504RD	GaAsP/GaP/ Hi-Eff.Red	635	45	80	30	150	2.0	2.5	3.0	
			GaAsP/GaP/ Orange									
BS-A506RD	BS-C506RD	GaAlAs/ SH Super Red	660	20	80	30	150	1.7	2.5	7.0		
BS-A50DRD	BS-C50DRD	GaAlAs/ DH Super Red	660	20	80	30	150	1.7	2.5	8.0		
0.50" Overflow Single-Digit	BF-A501RD	BF-C501RD	GaAsP/Red	655	40	80	40	200	1.7	2.0	1.0	SD-22
	BF-A505RD	BF-C505RD	GaP/ Bright Red	700	90	40	15	50	2.2	2.5	1.5	
	BF-A505RE	BF-C505RE										
	BF-A502RD	BF-C502RD	GaP/ Green	568	30	80	30	150	2.2	2.5	3.0	
	BF-A503RD	BF-C503RD	GaAsP/GaP/ Yellow	585	35	80	30	150	2.1	2.5	2.0	
	BF-A504RD	BF-C504RD	GaAsP/GaP/ Hi-Eff.Red	635	45	80	30	150	2.0	2.5	3.0	
			GaAsP/GaP/ Orange									
BF-A506RD	BF-C506RD	GaAlAs/ SH Super Red	660	20	80	30	150	1.7	2.5	7.0		
BF-A50DRD	BF-C50DRD	GaAlAs/ DH Super Red	660	20	80	30	150	1.7	2.5	8.0		
0.50" Single-Digit	BS-A521RD	BS-C521RD	GaAsP/Red	655	40	80	40	200	1.7	2.0	0.7	SD-23
	BS-A525RD	BS-C525RD	GaP/ Bright Red	700	90	40	15	50	2.2	2.5	1.5	
	BS-A525RE	BS-C525RE										
	BS-A522RD	BS-C522RD	GaP/ Green	568	30	80	30	150	2.2	2.5	3.5	
	BS-A523RD	BS-C523RD	GaAsP/GaP/ Yellow	585	35	80	30	150	2.1	2.5	2.5	
	BS-A524RD	BS-C524RD	GaAsP/GaP/ Hi-Eff.Red	635	45	80	30	150	2.0	2.5	3.5	
			GaAsP/GaP/ Orange									
BS-A526RD	BS-C526RD	GaAlAs/ SH Super Red	660	20	80	30	150	1.7	2.5	6.5		
BS-A52DRD	BS-C52DRD	GaAlAs/ DH Super Red	660	20	80	30	150	1.7	2.5	7.5		
0.50" Overflow Single-Digit	BF-A521RD	BF-C521RD	GaAsP/Red	655	40	80	40	200	1.7	2.0	0.7	SD-24
	BF-A525RD	BF-C525RD	GaP/ Bright Red	700	90	40	15	50	2.2	2.5	1.5	
	BF-A525RE	BF-C525RE										
	BF-A522RD	BF-C522RD	GaP/ Green	568	30	80	30	150	2.2	2.5	3.5	
	BF-A523RD	BF-C523RD	GaAsP/GaP/ Yellow	585	35	80	30	150	2.1	2.5	2.5	
	BF-A524RD	BF-C524RD	GaAsP/GaP/ Hi-Eff.Red	635	45	80	30	150	2.0	2.5	3.5	
			GaAsP/GaP/ Orange									
BF-A526RD	BF-C526RD	GaAlAs/ SH Super Red	660	20	80	30	150	1.7	2.5	6.5		
BF-A52DRD	BF-C52DRD	GaAlAs/ DH Super Red	660	20	80	30	150	1.7	2.5	7.5		

SD-19	SD-20
<p align="center">BS-A_C41xRD</p> 	<p align="center">BF-U41xRD</p> 
SD-21	SD-22
<p align="center">BS-A_C50xRD</p> 	<p align="center">BF-A_C50xRD</p> 
SD-23	SD-24
<p align="center">BS-A_C52xRD</p> 	<p align="center">BF-A_C52xRD</p> 

NOTES: 1.All Dimensions are in millimeters(inches).
3.Specifications are subject to change without notice.

2.Tolerance is $\pm 0.25\text{mm}(0.010")$.
4.NP:No Pin. 5.NC:No Connect.