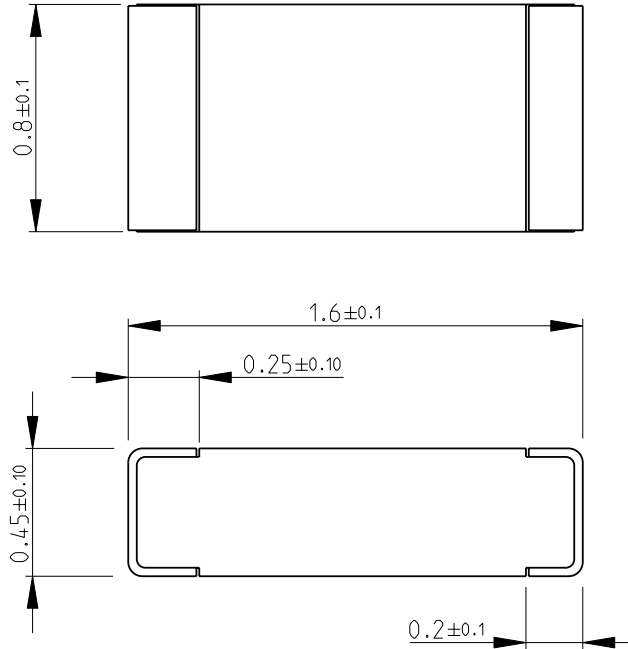
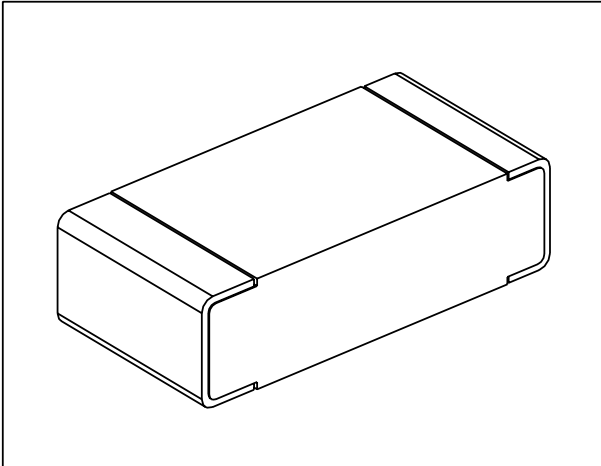


LOC	DIST	REVISIONS				
P	LTR	DESCRIPTION	DATE	DWN	APVD	
E	B	BA	NEW RELEASE	29-Sep-08	SM	St.P

FOR FURTHER INFORMATION SEE DATA SHEET FOR
CPF SERIES-THIN FILM PRECISION CHIP RESISTORS



RoHS Compliant



2008

RELEASED FOR PUBLICATION

THIS DRAWING IS UNPUBLISHED.

BY TYCO ELECTRONICS CORPORATION. ALL RIGHTS RESERVED.

© COPYRIGHT 2008

DIMENSIONS:		DWN	29-Sep-08	MATERIAL	FINISH	
mm		SUBHASH.M		-	-	
TOLERANCES UNLESS OTHERWISE SPECIFIED:		CHK	29-Sep-08	Tyco Electronics Corporation Dorcan, Swindon, SN3 5HH		
		PRAKASH.S				
0 PLC ±0.2		APVD	29-Sep-08	NAME THIN FILM PRECISION CHIP RESISTORS SERIES CPF 0603		
1 PLC ±0.1		STEPHEN.P				
2 PLC ±-		PRODUCT SPEC	-	SIZE	CAGE CODE	DRAWING NO
3 PLC ±-		APPLICATION SPEC	-	A 4	00779	©= 1879338
4 PLC ±-				RESTRICTED TO		-
ANGLES ±5°		WEIGHT	-	CUSTOMER DRAWING		
		SCALE		40:1	SHEET	1 OF 1
		REV		BA		